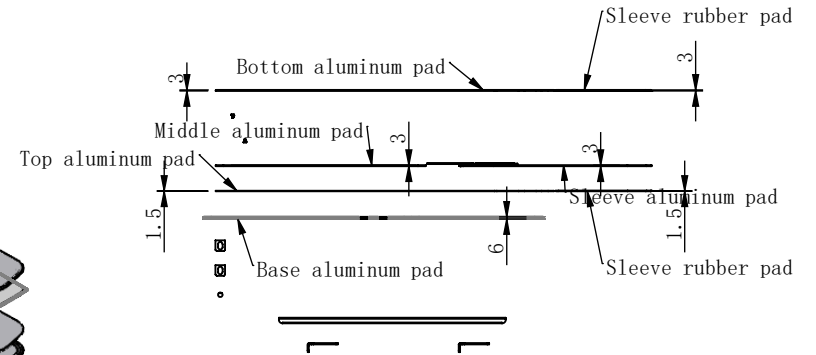
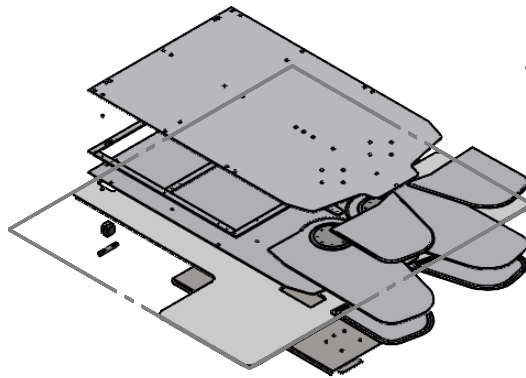
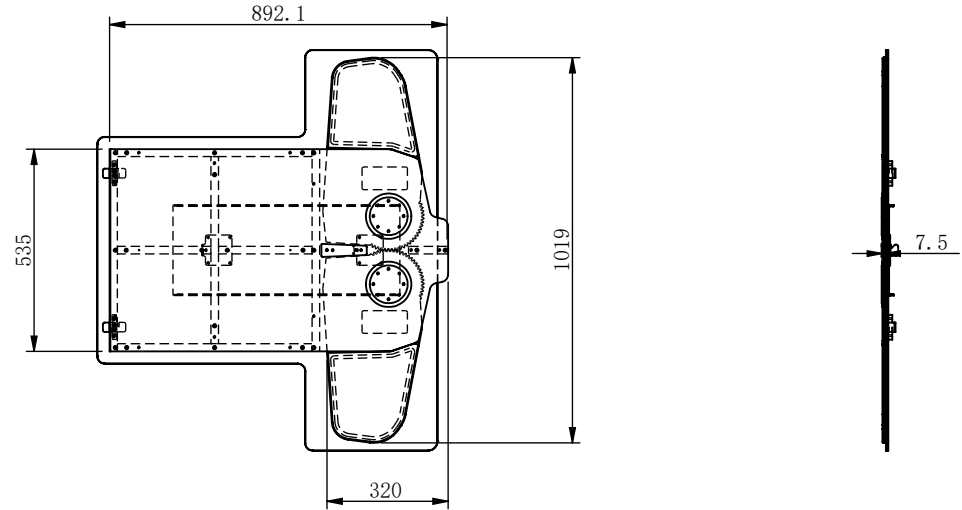
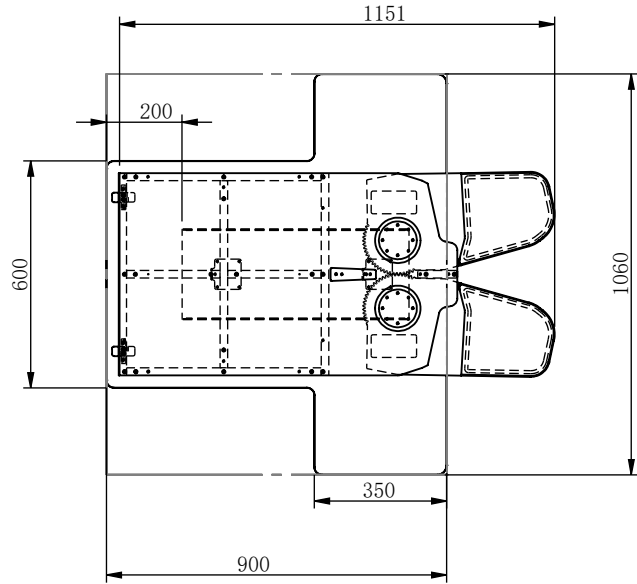


版本 REVISIONS

REV. 版本	DESCRIPTION 说明	DATE 日期
---------	----------------	---------



Material:		Item name:	
MACHINING NOTES: TOLERANCES UNLESS OTHERWISE SPECIFIED: LINEAR: ±0.1mm HOLES & INT. THREAD: $\varnothing 0.1$ BREAK ALL SHARP EDGES 0.1-0.4 RAD. OR 45 CHAMFER	Quantity	Scale	Document-No. : MTX-8080-PA-2-0-A3
	1	1:20	
	Drawn	Weight	ASSY A4
	PING	23.32	
Checked	Finish	ADELCO Highview, Hants, England GU350ax WWW.ADELCO.CO.UK	
LS			
Date			
Thrid angle			
All dimensions are in mm			